





## ECO 3" LED DOWNLIGHT

ED3AIC, ED3ANC, ED3NC, ED3RM  
ED3LAIC, ED3LANC, ED3LNIC, ED3LRIC  
ED3SNIC

PROJECT: \_\_\_\_\_

TYPE: \_\_\_\_\_

NOTE: \_\_\_\_\_

SPEC-00272 NEW ECO, 3", V-5.0, UPDATED 08/29/2022

### ORDER MATRIX

#### ED3

#### ECO 3" HOUSING + LIGHT ENGINE ORDER MATRIX (Example: ED3AIC-309050-21S)

HOUSING BASE		LED PERFORMANCE			DRIVER ASSEMBLY		
FAMILY APERTURE	INSTALLATION TYPE	CCT	CRI	OPTIC	WATTAGE	LED DIMMING DRIVER	
ED3 ECO 3"	<b>AIC</b> <sup>1</sup> (Adjustable New Construction, IC, CCEA)	<b>-27</b> (2700K)	<b>90</b> (90 CRI)	<b>50</b> (50° Flood) Installed 10°, 30°, 80° optics available from the Additional Optics Accessories table below	<b>-21</b> (20.1W)	<b>S</b> Universal Dimming Driver (1%-100% 0-10V, TRIAC, ELV, 120V/277V)	
	<b>ANC</b> <sup>1</sup> (Adj New Construction)	<b>-30</b> (3000K)					
	<b>NC</b> (New Construction)	<b>-35</b> (3500K)					
	<b>RM</b> (Remodel)	<b>-40</b> (4000K)					
ED3 ECO 3" <b>Warm Dim</b>	<b>AIC</b> <sup>1,2</sup> (Adjustable New Construction, IC, CCEA)	<b>-WD</b> <sup>2</sup> (1800K~3000K)	<b>98</b> (98 CRI)	<b>50</b> (50° Flood) Installed 10°, 30°, 80° optics available from the Additional Optics Accessories table below	<b>-15</b> <sup>2</sup> (13.4W) NIC or RIC Installation Type only	<b>S</b> Universal Dimming Driver (1%-100% 0-10V, TRIAC, ELV, 120V/277V)	
	<b>ANC</b> <sup>1,2</sup> (Adj New Construction)	<b>Warm Dim</b>					<b>Warm Dim</b>
	<b>NIC</b> <sup>2</sup> (New Construction IC)						
	<b>RIC</b> <sup>2</sup> (Remodel IC)						

1. AIC and ANC: Trimless Style available, order associated Trimless Mudplate/Housing Collar from Trim Accessories.

2. AIC or ANC Installation Type and Wattage Code -21. NIC or RIC Installation Type and Wattage Code -15. Requires Optical Media Accessory.

3. Wattage Code -21 Title 24 JA-8 compliant only with 10°, 30° or 50° optic installed.

#### ED3L

#### ECO 3" HOUSING + LIGHT ENGINE ORDER MATRIX (Example: ED3LAIC-309050-12S2)

HOUSING BASE		LED PERFORMANCE			DRIVER ASSEMBLY	
FAMILY APERTURE	INSTALLATION TYPE	CCT	CRI	OPTIC	WATTAGE	LED DIMMING DRIVER
ED3L ECO 3" LPD	<b>AIC</b> <sup>1</sup> (Adjustable New Construction, IC, CCEA)	<b>-27</b> (2700K)	<b>90</b> (90 CRI)	<b>50</b> (50° Flood) Installed 10°, 30°, 80° optics available from the Additional Optics Accessories table below	<b>-12</b> (11.3W)	<b>S2</b> Phase Control Dimming Driver (1%-100% TRIAC, ELV, 120V/277V)
	<b>ANC</b> <sup>1</sup> (Adj New Construction)	<b>-30</b> (3000K)				
	<b>NIC</b> (New Construction IC)	<b>-35</b> (3500K)				
	<b>RIC</b> (Remodel IC)	<b>-40</b> (4000K)				

1. AIC and ANC: Trimless Style available, order associated Trimless Mudplate/Housing Collar from Trim Accessories.

#### ED3S

#### ECO 3" HOUSING + LIGHT ENGINE ORDER MATRIX (Example: ED3SNIC-309050-15S)

HOUSING BASE		LED PERFORMANCE			DRIVER ASSEMBLY	
FAMILY APERTURE	INSTALLATION TYPE	CCT	CRI	OPTIC	WATTAGE	LED DIMMING DRIVER
ED3S ECO 3" Shallow	<b>NIC</b> <sup>1</sup> (Shallow Plenum New Construction, IC, CCEA)	<b>-27</b> (2700K)	<b>90</b> (90 CRI)	<b>50</b> (50° Flood) Installed 10°, 30°, 80° optics available from the Additional Optics Accessories table below	<b>-15</b> (13.4W)	<b>S</b> Universal Dimming Driver (1%-100% 0-10V, TRIAC, ELV, 120V/277V)
		<b>-30</b> (3000K)				
		<b>-35</b> (3500K)				
		<b>-40</b> (4000K)				
ED3S ECO 3" Shallow <b>Warm Dim</b>	<b>NIC</b> <sup>1</sup> (Shallow Plenum New Construction, IC, CCEA)	<b>-WD</b> <sup>2</sup> (1800K~3000K)	<b>98</b> (98 CRI)	<b>50</b> (50° Flood) Installed	<b>-15</b> (13.4W)	<b>S</b> Universal Dimming Driver

1. Trimless Style available, order associated Trimless Mudplate/Housing Collar from Trim Accessories.

2. Requires Optical Media Accessory.



## ECO 3" LED DOWNLIGHT

ED3AIC, ED3ANC, ED3NC, ED3RM  
ED3LAIC, ED3LANC, ED3LNIC, ED3LRIC  
ED3SNIC

PROJECT: \_\_\_\_\_

TYPE: \_\_\_\_\_

NOTE: \_\_\_\_\_

SPEC-00272 NEW ECO, 3", V-5.0, UPDATED 08/29/2022

## ORDER MATRIX

### TRIM

ECO 3" DOWNLIGHT TRIM ORDER MATRIX (Example: ED3-RFSTWT)

FAMILY APERTURE	TRIM SHAPE	TRIM POSITION	TRIM STYLE	TRIM FINISH
<b>ED3-</b> ECO 3"	<b>R</b> (Round)	<b>F</b> (Fixed)	<b>ST</b> (Standard)	<b>WT</b> (White)
	<b>S</b> (Square)	<b>A</b> (Adjustable)	<b>WW</b> <sup>1,2</sup> (Wall Wash)	<b>BK</b> (Black)
			<b>WL</b> <sup>1</sup> (Wet Location)	<b>CN</b> (Champagne)
			<b>TL</b> <sup>3</sup> (Standard Trimless)	<b>BW</b> <sup>4</sup> (Black w/ White Flange)
				<b>SW</b> <sup>4</sup> (Silver w/ White Flange)
				<b>CW</b> <sup>4</sup> (Champagne w/ White Flange)

1. Use F (Fixed Position) for WW (Wall Wash) and WL (Wet Location) style.
2. WW (Wall Wash) Style Trim ships with recommended 80° optic.
3. Must order associated Mudplate from Trim Accessories. Trimless Style for use with AIC, ANC, and SNIC models only.
4. Color option available in ST (Standard) Style only.

## ACCESSORIES

ECO 3" ACCESSORIES FOR ECO ED3, ED3L, ED3S

ADDITIONAL OPTICS
<b>ED3-10-OPTIC</b> <sup>1</sup> (10° Spot)
<b>ED3-30-OPTIC</b> <sup>1</sup> (30° Narrow Flood)
<b>ED3-50-OPTIC</b> <sup>1</sup> (50° Flood)
<b>ED3-80-OPTIC</b> <sup>2</sup> (80° Wide Flood)

OPTICAL MEDIA
<b>ED3-CL</b> (Clear Lens)
<b>ED3-MP</b> <sup>1</sup> (Solite Lens)
<b>ED3-FR</b> <sup>2</sup> (Frosted Lens)
<b>ED3-LS</b> (Linear Spread Lens)
<b>ED3-MHLDR</b> <sup>3,4</sup> (Media Holder)

EMERGENCY OPTIONS
<b>EM-1000</b> (25W Remote Inverter)
<b>EM-1002</b> (10W Remote Inverter)
<b>EM-1003</b> (35W Remote Inverter)
<b>EM-1003-CA</b> (35W Remote Inverter) Title 20
<b>EM-1004</b> (50W Remote Inverter)
<b>EM-1006</b> (25W Remote Inverter) Title 20

1. WD with 10°, 30°, 50° Optic requires MP (Solite Lens).
2. WD with 80° Optic requires FR (Frosted Lens).
3. MHLDR required when ordering 2 optical media.
4. MHLDR only compatible with AIC, ANC and SNIC.

## TRIM ACCESSORIES

ECO 3" TRIM ACCESSORIES ORDER MATRIX (Example: ED3-R-TL)

SIZE	STYLE
<b>ED3-</b> ECO 3"	<b>R-TL</b> (Round Trimless Mudplate)
	<b>S-TL</b> (Square Trimless Mudplate/Housing Collar)
	<b>R-FMA</b> (Round Flush Mount Adapter)
	<b>S-FMA</b> (Square Flush Mount Adapter)
	<b>TC1</b> (Thick Ceiling Adapter for ceilings 1 <sup>1</sup> / <sub>16</sub> " to 1 <sup>1</sup> / <sub>4</sub> ")
	<b>TC2</b> (Thick Ceiling Adapter for ceilings 1 <sup>5</sup> / <sub>16</sub> " to 2")



## ECO 3" LED DOWNLIGHT

ED3AIC, ED3ANC, ED3NC, ED3RM  
ED3LAIC, ED3LANC, ED3LNIC, ED3LRIC  
ED3SNIC

PROJECT: \_\_\_\_\_

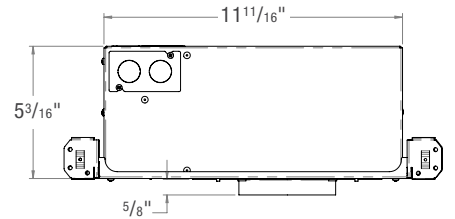
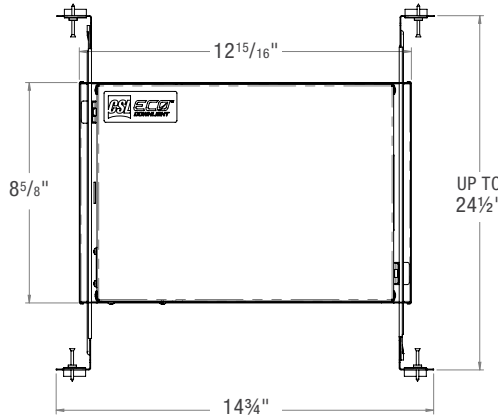
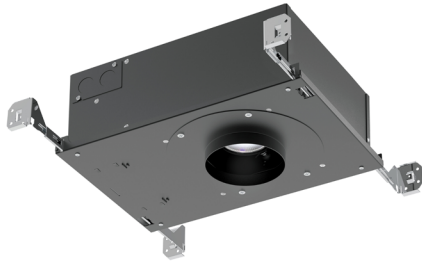
TYPE: \_\_\_\_\_

NOTE: \_\_\_\_\_

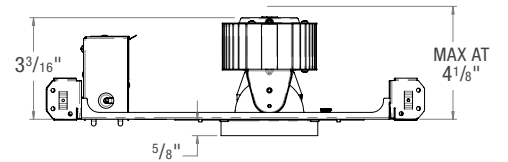
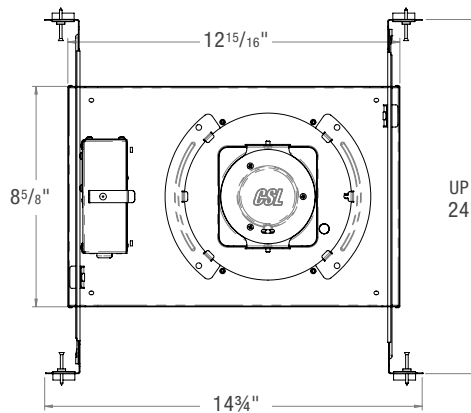
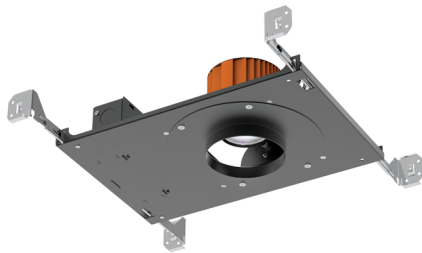
SPEC-00272 NEW ECO, 3", V-5.0, UPDATED 08/29/2022

### HOUSING AND LIGHT ENGINE LINE DRAWINGS

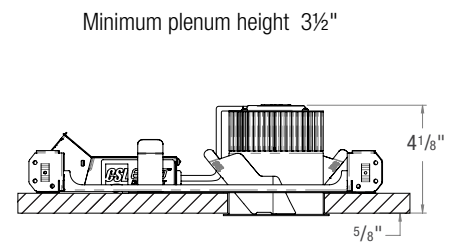
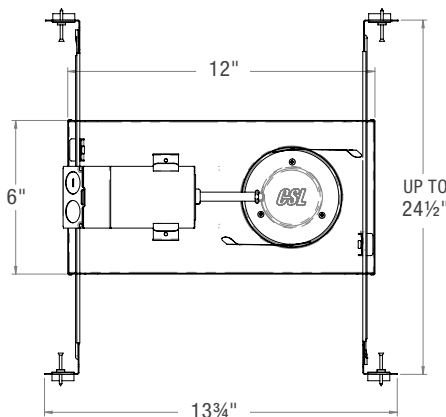
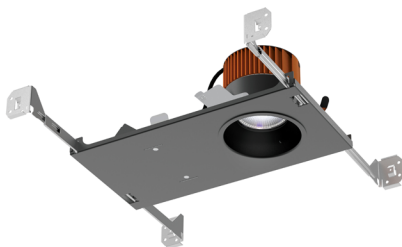
ED3AIC, ED3LAIC



ED3ANC, ED3LANC



ED3NC, ED3LNIC





## ECO 3" LED DOWNLIGHT

ED3AIC, ED3ANC, ED3NC, ED3RM  
 ED3LAIC, ED3LANC, ED3LNIC, ED3LRIC  
 ED3SNIC

PROJECT: \_\_\_\_\_

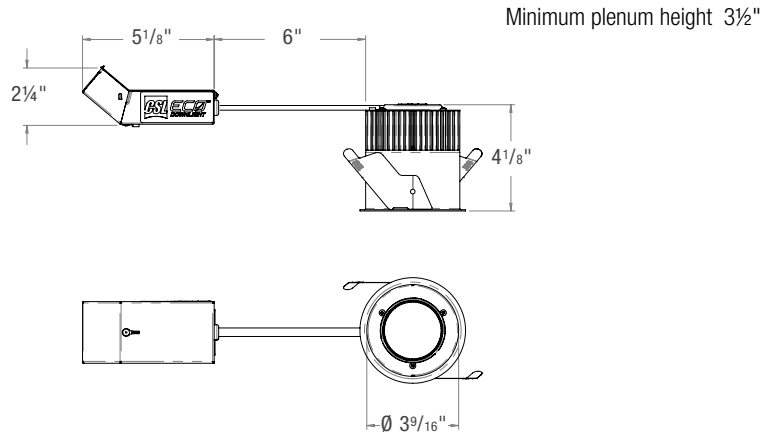
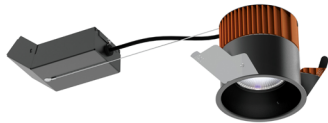
TYPE: \_\_\_\_\_

NOTE: \_\_\_\_\_

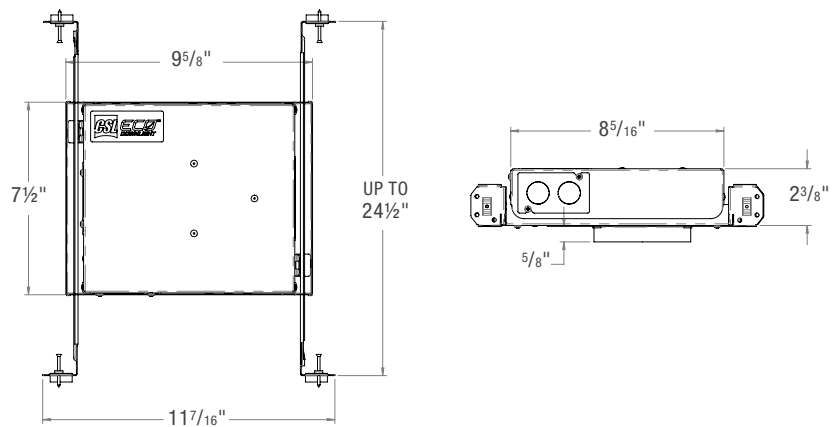
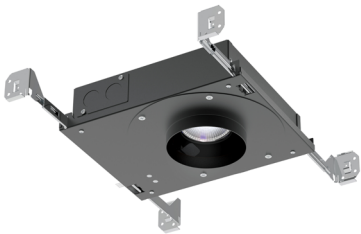
SPEC-00272 NEW ECO, 3", V-5.0, UPDATED 08/29/2022

### HOUSING AND LIGHT ENGINE LINE DRAWINGS

#### ED3RM, ED3LRIC



#### ED3SNIC





# ECO 3" LED DOWNLIGHT

ED3AIC, ED3ANC, ED3NC, ED3RM  
 ED3LAIC, ED3LANC, ED3LNIC, ED3LRIC  
 ED3SNIC

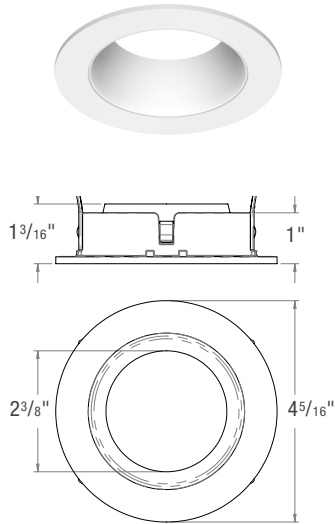
PROJECT: \_\_\_\_\_

TYPE: \_\_\_\_\_

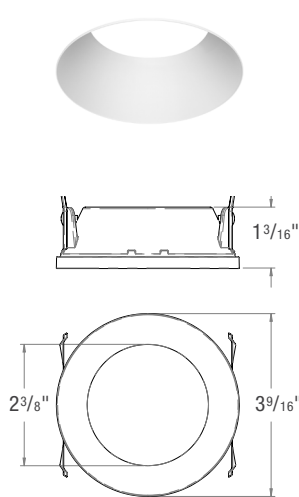
NOTE: \_\_\_\_\_

SPEC-00272 NEW ECO, 3", V-5.0, UPDATED 08/29/2022

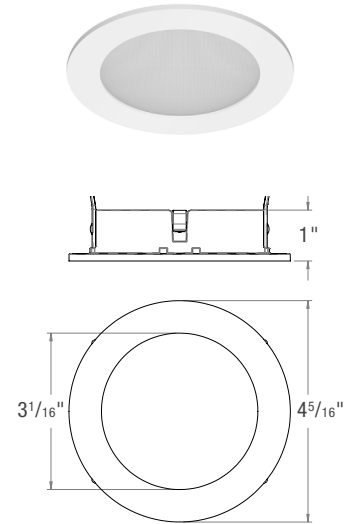
## TRIM STYLES



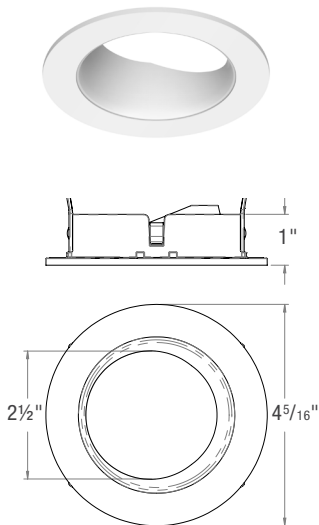
**ED3-RFST**  
 Round Fixed Standard



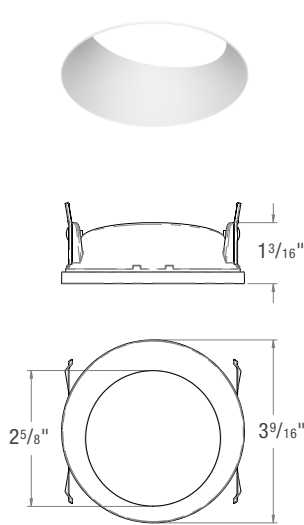
**ED3-RFTL**  
 Round Fixed Trimless  
 Must order associated Mudplate from Trim Accessories.  
 Trimless Style for use with AIC, ANC, and SNIC models only.



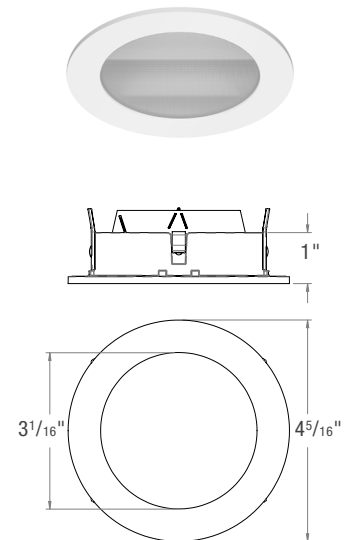
**ED3-RFWL**  
 Round Fixed Wet Location



**ED3-RAST**  
 Round Adjustable Standard  
 Adjustable trim styles for use  
 with adjustable AIC and ANC models only.



**ED3-RATL**  
 Round Adjustable Trimless  
 Adjustable trim styles for use with adjustable AIC  
 and ANC models only.  
 Must order associated Mudplate from Trim Accessories.  
 Trimless Style for use with AIC, ANC, and SNIC models only.



**ED3-RFWW**  
 Round Fixed Wall Wash





# ECO 3" LED DOWNLIGHT

ED3AIC, ED3ANC, ED3NC, ED3RM  
ED3LAIC, ED3LANC, ED3LNIC, ED3LRIC  
ED3SNIC

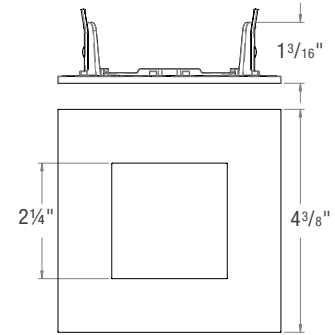
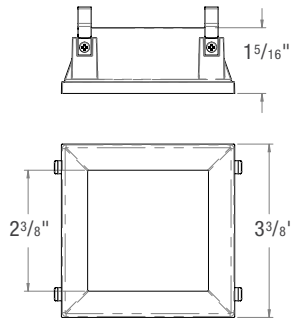
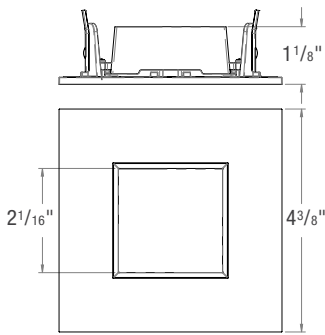
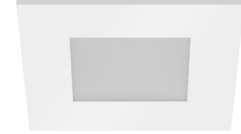
PROJECT: \_\_\_\_\_

TYPE: \_\_\_\_\_

NOTE: \_\_\_\_\_

SPEC-00272 NEW ECO, 3", V-5.0, UPDATED 08/29/2022

## TRIM STYLES



### ED3-SFST

Square Fixed Standard

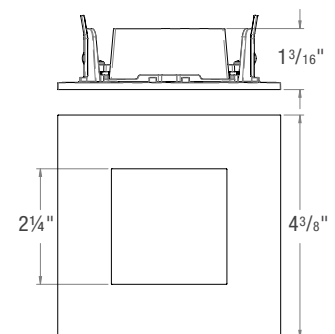
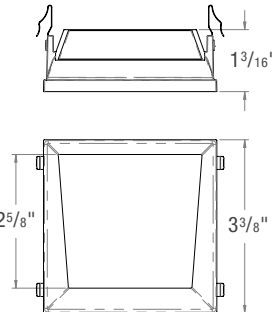
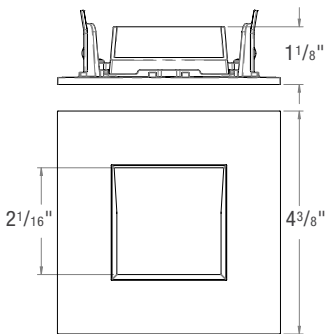
### ED3-SFTL

Square Fixed Trimless

Must order associated Mudplate from Trim Accessories.  
Trimless Style for use with AIC, ANC, and SNIC models only.

### ED3-SFWL

Square Fixed Wet Location



### ED3-SAST

Square Adjustable Standard  
Adjustable trim styles for use  
with adjustable AIC and ANC models only.

### ED3-SATL

Square Adjustable Trimless  
Adjustable trim styles for use with adjustable AIC  
and ANC models only.  
Must order associated Mudplate from Trim Accessories.  
Trimless Style for use with AIC, ANC, and SNIC models only.

### ED3-SFWW

Square Fixed Wall Wash





## ECO 3" LED DOWNLIGHT

ED3AIC, ED3ANC, ED3NC, ED3RM  
ED3LAIC, ED3LANC, ED3LNIC, ED3LRIC  
ED3SNIC

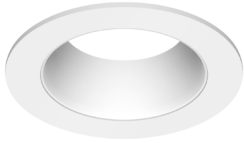
PROJECT: \_\_\_\_\_

TYPE: \_\_\_\_\_

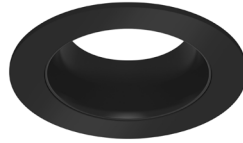
NOTE: \_\_\_\_\_

SPEC-00272 NEW ECO, 3", V-5.0, UPDATED 08/29/2022

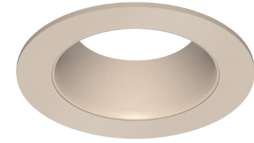
### TRIM FINISHES



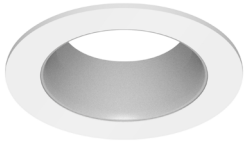
**ED3-RFSTWT**  
WT (White Reflector with White Trim)



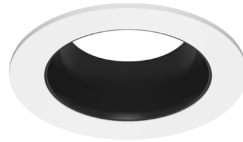
**ED3-RFSTBK**  
BK (Black Reflector with Black Trim)



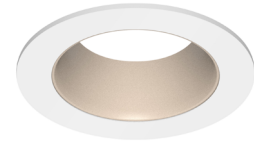
**ED3-RFSTCN**  
CN (Champagne Reflector with Champagne Trim)



**ED3-RFSTSW**  
SW (Silver Reflector with White Trim)



**ED3-RFSTBW**  
BW (Black Reflector with White Trim)



**ED3-RFSTCW**  
CW (Champagne Reflector with White Trim)



**ED3-SFSTWT**  
WT (White Reflector with White Trim)



**ED3-SFSTBK**  
BK (Black Reflector with Black Trim)



**ED3-SFSTCN**  
CN (Champagne Reflector with Champagne Trim)



**ED3-SFSTSW**  
SW (Silver Reflector with White Trim)



**ED3-SFSTBW**  
BW (Black Reflector with White Trim)



**ED3-SFSTCW**  
CW (Champagne Reflector with White Trim)





# ECO 3" LED DOWNLIGHT

ED3AIC, ED3ANC, ED3NC, ED3RM  
 ED3LAIC, ED3LANC, ED3LNIC, ED3LRIC  
 ED3SNIC

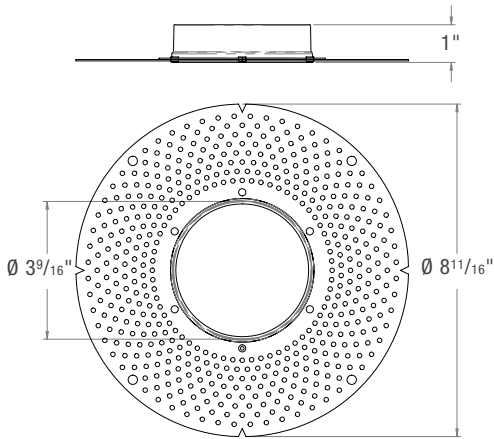
PROJECT: \_\_\_\_\_

TYPE: \_\_\_\_\_

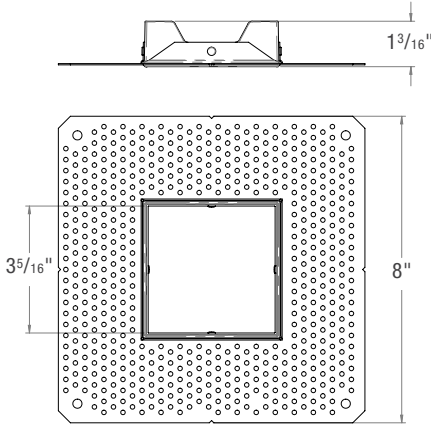
NOTE: \_\_\_\_\_

SPEC-00272 NEW ECO, 3", V-5.0, UPDATED 08/29/2022

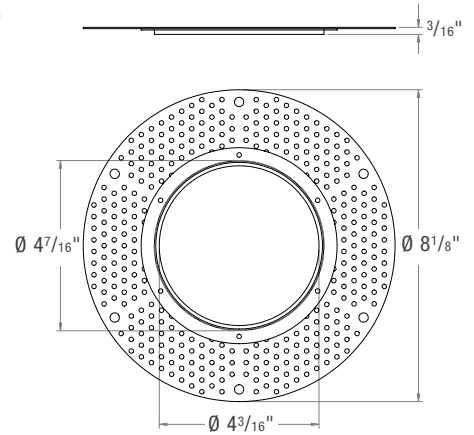
## TRIM ACCESSORIES



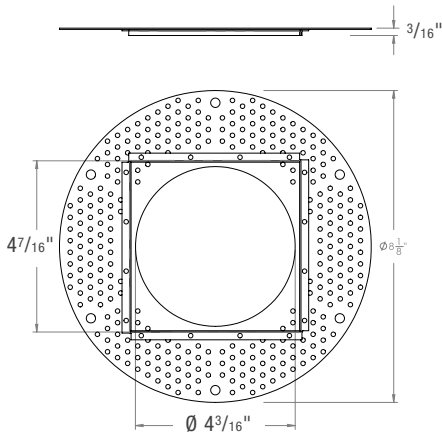
**ED3-R-TL**  
 Round Trimless Mudplate



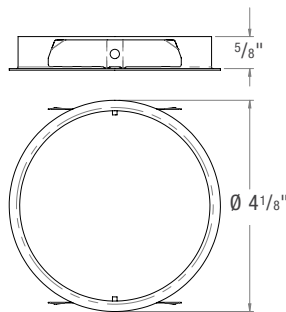
**ED3-S-TL**  
 Square Trimless Mudplate



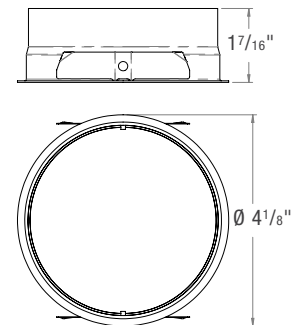
**ED3-R-FMA**  
 Round Flush Mount Adapter



**ED3-S-FMA**  
 Square Flush Mount Adapter



**ED3-TC1**  
 Thick Ceiling Adapter  
 for ceilings 1 1/16" to 1 1/4"



**ED3-TC2**  
 Thick Ceiling Adapter  
 for ceilings 1 5/16" to 2"





## ECO 3" LED DOWNLIGHT

ED3AIC, ED3ANC, ED3NC, ED3RM  
ED3LAIC, ED3LANC, ED3LNIC, ED3LRIC  
ED3SNIC

PROJECT: \_\_\_\_\_

TYPE: \_\_\_\_\_

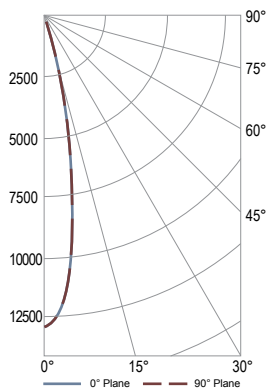
NOTE: \_\_\_\_\_

SPEC-00272 NEW ECO, 3", V-5.0, UPDATED 08/29/2022

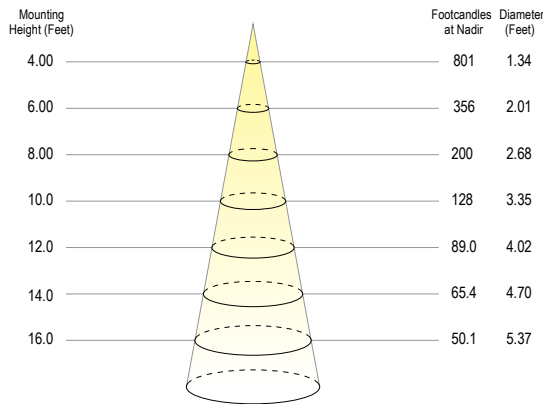
### PHOTOMETRICS

Eco Downlight 3" ANC model (2700K, 90 CRI, 10° Optic, 21W)  
Round, Standard, White Trim

Polar Plot



Cone of Light Tabulation



Voltage	Current	Power
120.1 VAC	0.1664 A	19.62 W

Power Factor	Frequency	Current THD
0.982	60 Hz	16.8%

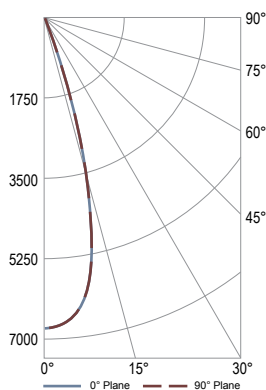
#### Summary of Results

Spacing Criteria 0-180: 0.34  
90-270: 0.34  
Total Lumen Output: 1669 Lumens  
Luminaire Efficacy: 85.0 lm/w  
Maximum Candela: 12818 Candela

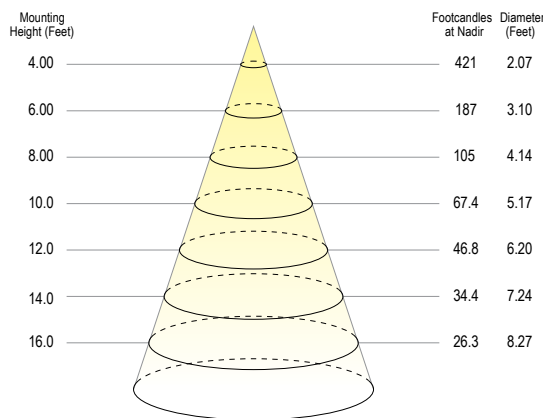
Zone	Lumens	% of Luminaire
0-40	1652	99.0%
0-60	1663	99.6%
0-90	1669	100.0%

Eco Downlight 3" ANC model (2700K, 90 CRI, 30° Optic, 21W)  
Round, Standard, White Trim

Polar Plot



Cone of Light Tabulation



Voltage	Current	Power
120.1 VAC	0.1662 A	19.60 W

Power Factor	Frequency	Current THD
0.982	60 Hz	16.8%

#### Summary of Results

Spacing Criteria 0-180: 0.52  
90-270: 0.52  
Total Lumen Output: 1701 Lumens  
Luminaire Efficacy: 86.8 lm/w  
Maximum Candela: 6743 Candela

Zone	Lumens	% of Luminaire
0-40	1684	99.0%
0-60	1697	99.7%
0-90	1701	100.0%





## ECO 3" LED DOWNLIGHT

ED3AIC, ED3ANC, ED3NC, ED3RM  
ED3LAIC, ED3LANC, ED3LNIC, ED3LRIC  
ED3SNIC

PROJECT: \_\_\_\_\_

TYPE: \_\_\_\_\_

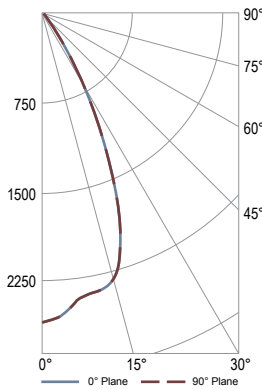
NOTE: \_\_\_\_\_

SPEC-00272 NEW ECO, 3", V-5.0, UPDATED 08/29/2022

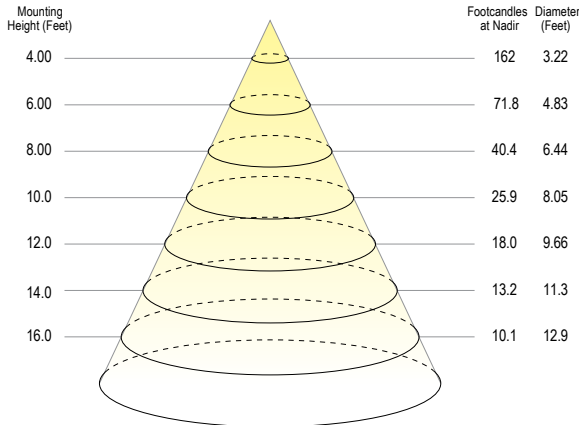
### PHOTOMETRICS

Eco Downlight 3" ANC model (2700K, 90 CRI, 50° Optic, 21W)  
Round, Standard, White Trim

Polar Plot



Cone of Light Tabulation



Voltage	Current	Power
120.1 VAC	0.1663 A	19.62 W

Power Factor	Frequency	Current THD
0.982	60 Hz	16.8%

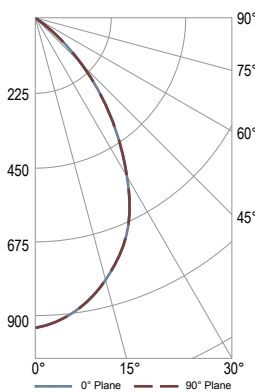
#### Summary of Results

Spacing Criteria 0-180: 0.80  
90-270: 0.80  
Total Lumen Output: 1592 Lumens  
Luminaire Efficacy: 81.2 lm/w  
Maximum Candela: 2586 Candela

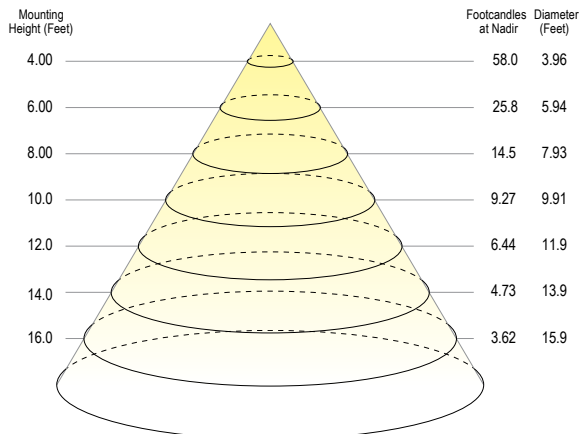
Zone	Lumens	% of Luminaire
0-40	1555	97.7%
0-60	1587	99.7%
0-90	1592	100.0%

Eco Downlight 3" ANC model (2700K, 90 CRI, 80° Optic, 21W)  
Round, Standard, White Trim

Polar Plot



Cone of Light Tabulation



Voltage	Current	Power
120.0 VAC	0.1740 A	20.71 W

Power Factor	Frequency	Current THD
0.991	60 Hz	9.97%

#### Summary of Results

Spacing Criteria 0-180: 0.99  
90-270: 0.99  
Total Lumen Output: 1125 Lumens  
Luminaire Efficacy: 54.3 lm/w  
Maximum Candela: 927 Candela

Zone	Lumens	% of Luminaire
0-40	896	79.6%
0-60	1106	98.3%
0-90	1125	100.0%



## ECO 3" LED DOWNLIGHT

ED3AIC, ED3ANC, ED3NC, ED3RM  
ED3LAIC, ED3LANC, ED3LNIC, ED3LRIC  
ED3SNIC

PROJECT: \_\_\_\_\_

TYPE: \_\_\_\_\_

NOTE: \_\_\_\_\_

SPEC-00272 NEW ECO, 3", V-5.0, UPDATED 08/29/2022

### FOR DRIVER TYPE "S"

Universal Dimming Driver, ED3 and ED3S only

Compatible Phase Control Dimmers			
MFG	Model	MFG	Model
Lutron	LGCL-153PL	Leviton	VPE06
Lutron	DVRP-253P	Leviton	DW1KD-1BZ
Lutron	RRD-6CL	Leviton	IPE04
Lutron	NTELV-600P	Leviton	IPL06
Lutron	DVELV-303P	Cooper	SAL06P
Lutron	MAELV-600		
Lutron	PD-6WCL		
Lutron	SELV-300P		
Lutron	DVCL-153P		

Compatible dimmer information provided by the dimming driver manufacturer

Compatible 0-10VDC Dimmers	
MFG	Model
Lutron	NFTV
Lutron	DTV
Lutron	DVSTV
Leviton	IP710-LFZ
Lightolier	SR1200ZTUNV
Cooper	SF10P-W
Leviton	IP710-DL

Compatible dimmer information provided by the dimming driver manufacturer



**ECO 3" LED DOWNLIGHT**

ED3AIC, ED3ANC, ED3NC, ED3RM  
 ED3LAIC, ED3LANC, ED3LNIC, ED3LRIC  
 ED3SNIC

PROJECT: \_\_\_\_\_

TYPE: \_\_\_\_\_

NOTE: \_\_\_\_\_

SPEC-00272 NEW ECO, 3", V-5.0, UPDATED 08/29/2022

**FOR DRIVER TYPE "S2"**

Phase Control Dimming Driver, ED3L only

Compatible Phase Control Dimmers			
MFG	Model	MFG	Model
Lutron	S-603PG	Leviton	6631-LW
Lutron	DVCL-153P	Leviton	VPE06
Lutron	TGCL-153P	Leviton	6683-IW
Lutron	S600P	Leviton	6161
Lutron	DVELV303P	Leviton	6633-P
Lutron	SELV300P	Leviton	IPE04
Lutron	TG-600P	Cooper	DLC03P
Lutron	LG600P	Cooper	SLC03P
Lutron	CT103P	Cooper	DAL06P
Lutron	MAELV600	Lightolier	ZP260QEW
Lutron	FAELV500		

Compatible dimmer information provided by the dimming driver manufacturer

